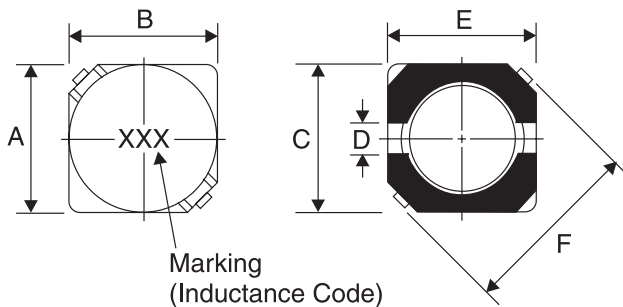


**Features :**

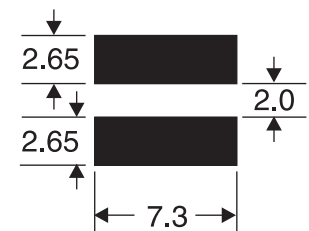
- Description: SMD (shielded) power inductor.
- Applications: Power supplies for VTR, OA equipment, LCD televisions, PC notebooks, portable communication equipment, DC/DC converters, etc.
- Operating Temperature: -40°C to +110°C
- Inductance Tolerance: N = ±30%, M = ±20%
- Testing: Tested on an HP4284A at 10KHz, 0.25Vrms, 0Adc.
- Packaging: 13" reel, embossed plastic tape ( 1000 pcs/reel )
- Marking: Parts are marked with inductance code.
- Rated DC Current: Indicates the current when the inductance decreases to 35% of its initial value or DC current when the temperature of coil is increased by 40% the smaller one is defined as rated current.



Part Number	Inductance (µH)	L Test Freq. (kHz)	DCR max (Ohms)	Rated DC Current (A)
AXCDRH6D38-3R3N	3.3	10	0.020	3.5
AXCDRH6D38-5R0N	5.0	10	0.024	2.9
AXCDRH6D38-6R2N	6.2	10	0.027	2.5
AXCDRH6D38-7R4N	7.4	10	0.031	2.3
AXCDRH6D38-8R7N	8.7	10	0.034	2.2
AXCDRH6D38-100M	10	10	0.038	2.0
AXCDRH6D38-120M	12	10	0.053	1.7
AXCDRH6D38-150M	15	10	0.057	1.6
AXCDRH6D38-180M	18	10	0.092	1.5
AXCDRH6D38-220M	22	10	0.096	1.3
AXCDRH6D38-270M	27	10	0.109	1.2
AXCDRH6D38-330M	33	10	0.124	1.1
AXCDRH6D38-390M	39	10	0.138	1.0
AXCDRH6D38-470M	47	10	0.155	0.95
AXCDRH6D38-560M	56	10	0.202	0.85
AXCDRH6D38-680M	68	10	0.234	0.75
AXCDRH6D38-820M	82	10	0.324	0.70
AXCDRH6D38-101M	100	10	0.358	0.65

**Dimensions :**

**Pad Layout :**

Unit: mm



Size	A	B	C	D	E	F Max.	G Max.
mm	6.7±0.3	6.7±0.3	6.5	2.0	6.5	9.5	4.0
inches	0.26±0.01	0.26±0.01	0.255	0.08	0.255	0.37	0.16