

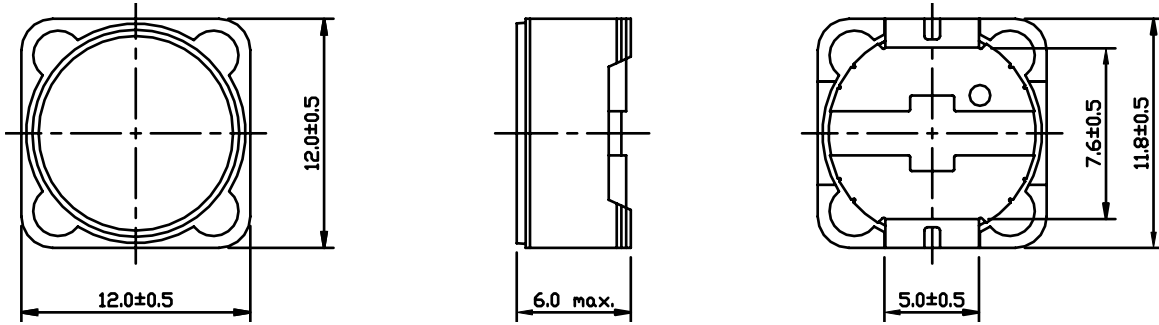
Features :

- Description: SMD shielded power inductor
- Applications: Power supplies for VTR, OA equipment, LCD televisions, PC notebooks, portable communication equipment, DC/DC converters, etc.
- Operating Temperature: -40°C to +125°C
- Inductance Tolerance: M = ±20%, N = ±30%
- Rated Current: The DC current at which the inductance decreases to 75% of its nominal value or when $\Delta T=40^{\circ}\text{C}$, whichever is lower ($T_a=20^{\circ}\text{C}$)
- Testing: Inductance is tested on an HP4284A at 1.0 kHz
- Packaging: Tape & Reel, 400pcs/reel
- Marking: Parts are marked with inductance code
- Miscellaneous: Magnetically shielded
- Additional info available upon request.



Part Number	Inductance (µH)	L Test Freq.	DCR Typ. (Ohms)	DCR Max (Ohms)	Rated Current (A)
AXCDRH125LD-7R5N	7.5	7.96MHz	0.0147	0.0190	5.60
AXCDRH125LD-100N	10	1.0KHz	0.0225	0.0290	4.60
AXCDRH125LD-120M	12	1.0KHz	0.0246	0.0320	4.20
AXCDRH125LD-150M	15	1.0KHz	0.0271	0.0350	4.00
AXCDRH125LD-180M	18	1.0KHz	0.0318	0.0410	3.56
AXCDRH125LD-220M	22	1.0KHz	0.0339	0.0440	3.28
AXCDRH125LD-270M	27	1.0KHz	0.0415	0.0520	3.00
AXCDRH125LD-330M	33	1.0KHz	0.0500	0.0650	2.60
AXCDRH125LD-390M	39	1.0KHz	0.0600	0.0750	2.40
AXCDRH125LD-470M	47	1.0KHz	0.0720	0.0950	2.30
AXCDRH125LD-560M	56	1.0KHz	0.0954	0.125	2.00
AXCDRH125LD-680M	68	1.0KHz	0.110	0.140	1.85
AXCDRH125LD-820M	82	1.0KHz	0.121	0.157	1.70
AXCDRH125LD-101M	100	1.0KHz	0.144	0.187	1.60
AXCDRH125LD-121M	120	1.0KHz	0.175	0.228	1.37
AXCDRH125LD-151M	150	1.0KHz	0.218	0.280	1.26
AXCDRH125LD-181M	180	1.0KHz	0.259	0.335	1.14
AXCDRH125LD-221M	220	1.0KHz	0.303	0.395	1.08
AXCDRH125LD-271M	270	1.0KHz	0.403	0.520	0.94
AXCDRH125LD-331M	330	1.0KHz	0.547	0.710	0.85
AXCDRH125LD-391M	390	1.0KHz	0.614	0.800	0.77
AXCDRH125LD-471M	470	1.0KHz	0.711	0.920	0.72
AXCDRH125LD-561M	560	1.0KHz	0.956	1.20	0.67
AXCDRH125LD-681M	680	1.0KHz	1.08	1.35	0.57
AXCDRH125LD-821M	820	1.0KHz	1.17	1.40	0.51
AXCDRH125LD-102M	1000	1.0KHz	1.62	1.95	0.46

Dimensions :



Land Pattern :

[mm]

