

Features :

- Description: Radial leaded fixed inductor (UL sleeved)
- Applications: Ideal as a choke coil for noise filtering and DC/DC converter applications. General applications.
- Operating Temperature: -55°C to +125°C
- Temperature Coefficient: 440ppm / °C max.
- Inductance Tolerance: ±5%, ±10%, ±20%
- Testing: Inductance and Q are tested on an HP4284A at specified frequency.
- Packaging: Bulk pack; packaged in styrofoam.
- Marking: Marked with inductance code.
- Additional info available upon request.

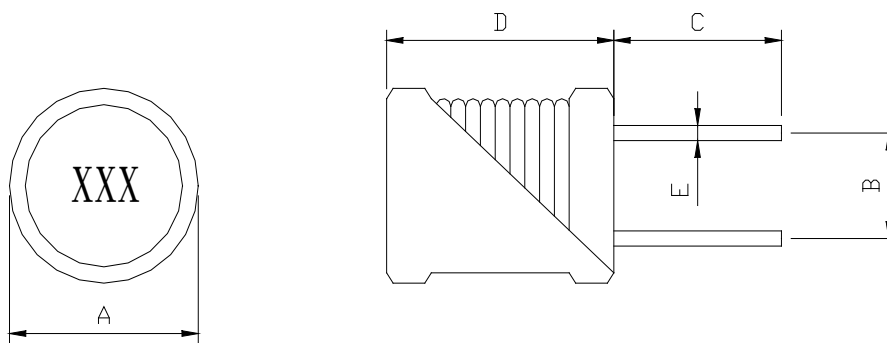


Part Number	Inductance (μH)	Test Frequency of L & Q (MHz)	Q Fact. Min.	SRF Min. (MHz)	DCR Max. (Ohm)	Rated DC (A)
AX622LYB-1R0_	1.0	7.96	20	150	0.01	10.0
AX622LYB-1R5_	1.5	7.96	20	130	0.01	8.5
AX622LYB-2R2_	2.2	7.96	20	100	0.02	6.5
AX622LYB-3R3_	3.3	7.96	20	79	0.02	5.5
AX622LYB-4R7_	4.7	7.96	20	51	0.03	4.3
AX622LYB-6R8_	6.8	2.52	20	29	0.03	3.7
AX622LYB-100_	10	2.52	50	14	0.04	3.0
AX622LYB-120_	12	2.52	50	13	0.05	2.6
AX622LYB-150_	15	2.52	40	12	0.05	2.3
AX622LYB-180_	18	2.52	40	11	0.06	2.2
AX622LYB-220_	22	2.52	40	9.2	0.07	2.0
AX622LYB-270_	27	2.52	30	8.5	0.08	1.7
AX622LYB-330_	33	2.52	30	7.8	0.09	1.6
AX622LYB-390_	39	2.52	30	6.9	0.10	1.5
AX622LYB-470_	47	2.52	30	6.5	0.16	1.4
AX622LYB-560_	56	2.52	30	5.4	0.18	1.3
AX622LYB-680_	68	2.52	30	4.9	0.21	1.2
AX622LYB-820_	82	2.52	30	4.1	0.23	1.1
AX622LYB-101_	100	0.796	20	3.7	0.28	0.91
AX622LYB-121_	120	0.796	20	3.4	0.32	0.84
AX622LYB-151_	150	0.796	20	3.2	0.37	0.74
AX622LYB-181_	180	0.796	20	2.8	0.58	0.69
AX622LYB-221_	220	0.796	20	2.7	0.65	0.64
AX622LYB-271_	270	0.796	20	2.4	0.75	0.57
AX622LYB-331_	330	0.796	20	2.3	0.85	0.54
AX622LYB-391_	390	0.796	20	2.1	1.0	0.48
AX622LYB-471_	470	0.796	20	1.9	1.1	0.46
AX622LYB-561_	560	0.796	20	1.8	1.4	0.41
AX622LYB-681_	680	0.796	20	1.6	1.6	0.38
AX622LYB-821_	820	0.796	20	1.5	1.8	0.35

— Tolerance Code J= ±5%, K= ±10%, M= ±20%

Part Number	Inductance (μH)	Test Frequency of L & Q (MHz)	Q Fact. Min.	SRF Min. (MHz)	DCR Max. (Ohm)	Rated DC (A)
AX622LYB-102_	1000	0.252	50	1.3	2.9	0.29
AX622LYB-122_	1200	0.252	50	1.1	4.0	0.13
AX622LYB-152_	1500	0.252	20	1.0	6.1	0.08
AX622LYB-182_	1800	0.252	20	1.0	6.4	0.08
AX622LYB-222_	2200	0.252	20	0.9	6.8	0.08
AX622LYB-272_	2700	0.252	20	0.9	7.7	0.08
AX622LYB-332_	3300	0.252	20	0.7	9.0	0.08
AX622LYB-392_	3900	0.252	20	0.6	14.0	0.08
AX622LYB-472_	4700	0.252	20	0.5	16.0	0.05

Tolerance Code J= ±5%, K= ±10%, M= ±20%

Dimensions :


Size	A max.	B nom.	C nom.	D max.	E 22 AWG
mm	8.5	5.0	5.0	11.0	0.643
inches	0.34	0.2	0.2	0.43	0.03